



Spinner Hanger Cleaning Equipment



GOFF®

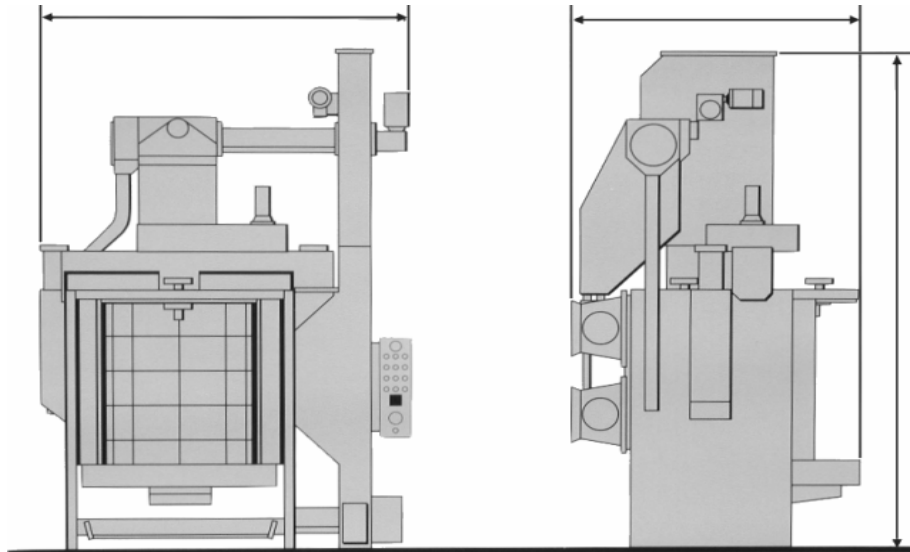
“BLASTING SOLUTIONS”

Performance and Production You Can Depend On

Goff's Spinner Hangers are designed for high production applications where parts can't be tumbled, helping to eliminate part breakage while providing superior finish, coverage and quality. Parts are placed in a rotating chamber that provides total surface blast coverage, and while blasting occurs in one chamber the opposite chamber can be reloaded. Multi-chamber carousel, in-and-out, hanger table and pass-through models are available.



Technical Data



| Model* | 1224 | 1244 | 2024D | 2036S | 2448 | 2460S | 2460D | 3060S | 3672S | 3672D | 4884D | 48108D | 4860S | 4860D | 6060HT |
|---------------------------------|-------|--------|--------|--------|--------|---------|---------|----------|--------|-------|--------|--------|---------|---------|----------|
| # of Blast Wheels | 1 | 2 | 2 | 2 | 2 | 2 | 2 | 2 | 2* | 2* | 2 | 4 | 2 | 2 | 2 |
| # of Blast Chambers | 2 | 2 | 3 | 3 | 2 | 2 | 2 | 2 | 2 | 2 | 2 | 2 | 1 | 1 | 1 |
| Power Per Blast Wheel (Std.) | 5 | 2x5 | 2x10 | 2x10 | 2x5 | 2x7-1/2 | 2x7-1/2 | 2x7- 1/2 | 2x10 | 2X10 | 2X15 | 4X10 | 2X7-1/2 | 2X7-1/2 | 2X15 |
| Workload Capacity-Hanger (lbs.) | 100 | 100 | 500 | 300 | 1000 | 1500 | 1500 | 1500 | 2000 | 2000 | 4000 | 4000 | 3000 | 3000 | 5000 |
| Workload Capacity-Table (lbs.) | - | - | - | - | - | - | - | - | - | - | - | - | 4000 | 4000 | - |
| Envelope Circle Dia. | 12" | 12" | 20" | 20" | 24" | 24" | 24" | 30" | 36" | 36" | 48" | 48" | 48" | 48" | 60" |
| Work Piece Ht. | 16" | 36" | 20" | 28" | 40" | 52" | 52" | 52" | 62" | 62" | 74" | 96" | 52" | 52" | 52" |
| Rotating Table Diameter | - | - | - | - | - | - | - | - | - | - | - | 60" | 52" | 52" | 52" |
| Single Lip Separator | *** | • | | • | • | • | | | • | | | | | • | |
| Double Lip Separator | | | • | | | | • | | | • | • | • | | • | |
| Rotary Screen | | *** | • | • | *** | • | • | *** | • | • | • | • | • | • | |
| Required Ventilation (CFM) | 700 | 800 | 2000 | 2000 | 1300 | 1600 | 2000 | 2000 | 2400 | 3000 | 4500 | 6000 | 2000 | 3000 | 3600 |
| Total HP Without Dust Collector | 6-1/3 | 12-1/2 | 24-1/2 | 24-1/2 | 17-1/2 | 17-3/4 | 19-1/4 | 19-1/4 | 24 | 25 | 36-1/4 | 51-3/4 | 17-1/2 | 22-1/2 | |
| Total Amps @ 460 Volts | 9.0 | 17.0 | 35.0 | 35.0 | 24.0 | 25.0 | 27.0 | 27.0 | 34.0 | 34.0 | 50.0 | 71.0 | 25.0 | 29.0 | |
| Dimensions | | | | | | | | | | | | | | | |
| Height (A) | 12'4" | 11'1" | 13'10" | 18'0" | 11'9" | 13'5" | 11'7" | 11'7" | 17'10" | 20'0" | 14'3" | 20' | 14'5" | 12'3" | 14'4" |
| Width (B) | 4'11" | 3'11" | 7'8" | 8'0" | 8'2" | 8'0" | 9'8" | 9'8" | 12'0" | 14'5" | 18'0" | 13'6" | 8'8" | 8'1" | 9'4" |
| Depth (C) | 4'10" | 4'2" | 9'10" | 5'10" | 6'7" | 6'7" | 10'2" | 10'2" | 10'5" | 10'2" | 11'1" | 11'11" | 8'5" | 10'3" | 8'8-3/4" |
| Total Machine Weight (lbs.) | 2400 | 2700 | 7000 | 6000 | 3500 | 8000 | 9000 | 9500 | 10000 | 12000 | 24000 | 30000 | 6000 | 7500 | 7000 |

*Optional number of blast wheels

***Optionally Available

Specifications subject to change without notice.

